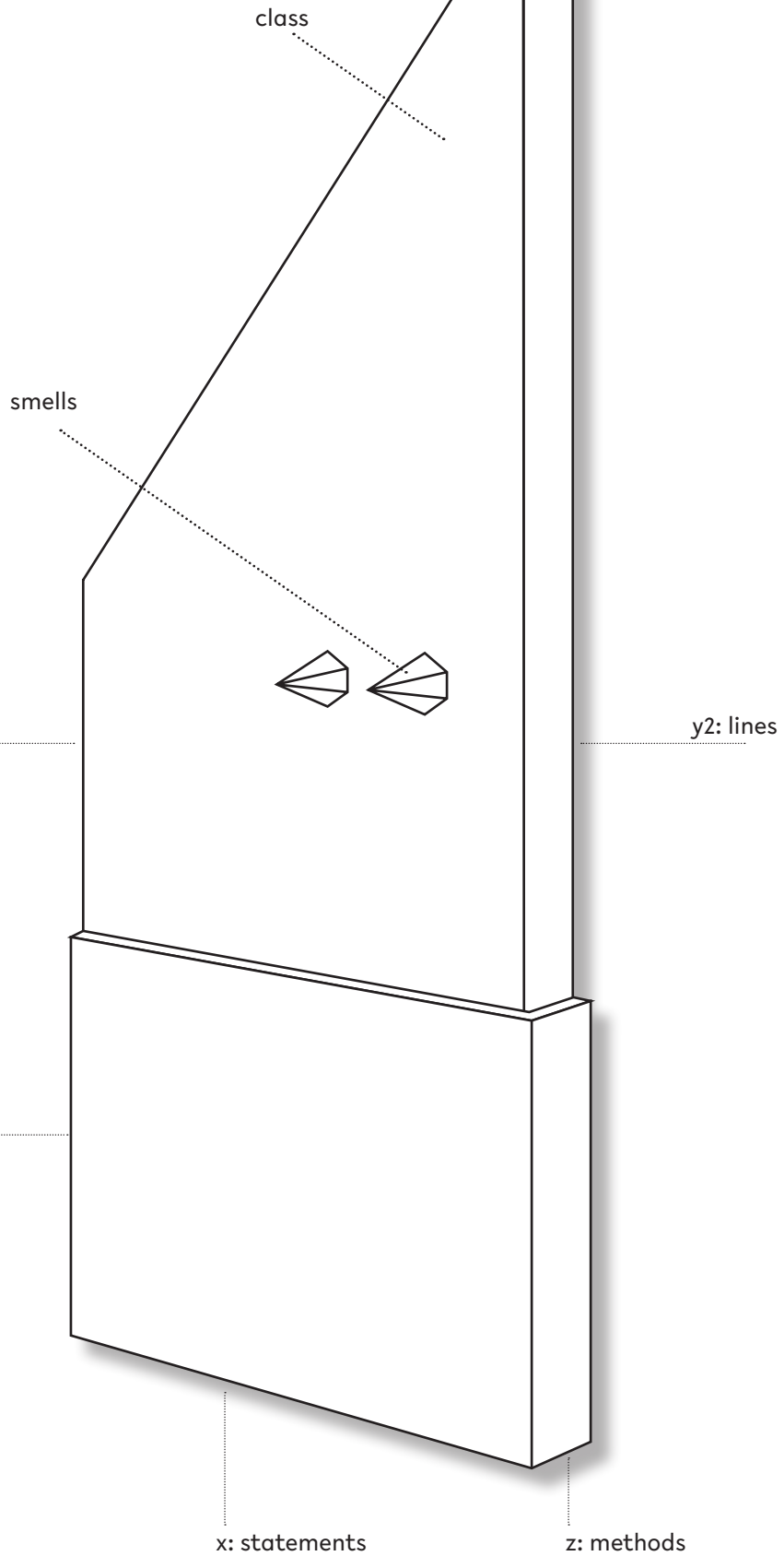


1: CLASS METRICS & SMELLS

Object / File
Java class
metrics

y2: lines
y1: lines of code
z: methods
x: statements



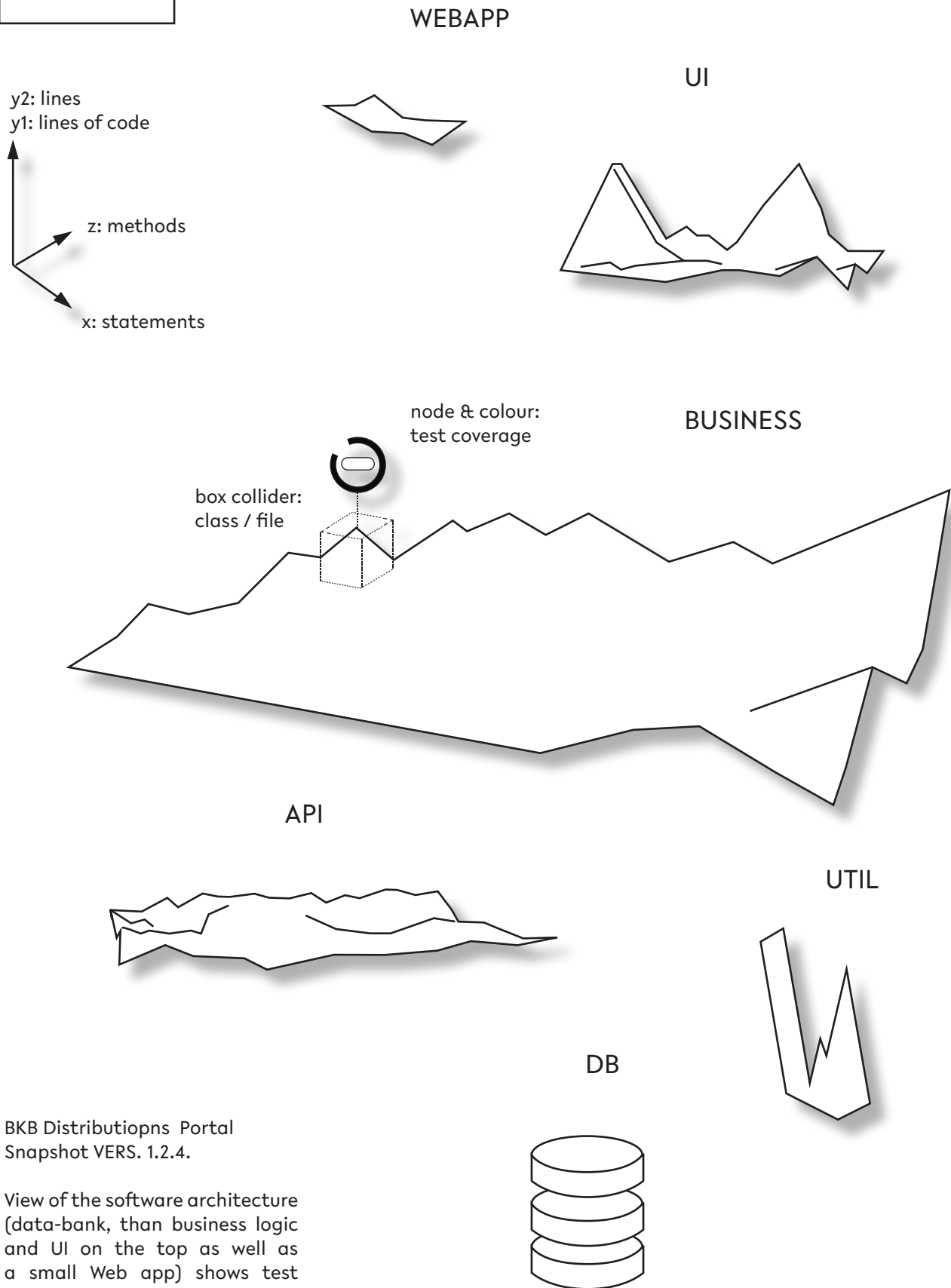
ReflectionUtil.java
BKB Distributiopns Portal

y: LOC: 483
y2: Lines: 982
y3 / color gradient:
Comments 37,1% 285

x: Statements: 268
z: Methods: 37

2: SOFTWARE ARCHITECTURE & TEST COVERAGE

Object / Package
metrics & test
coverage on files



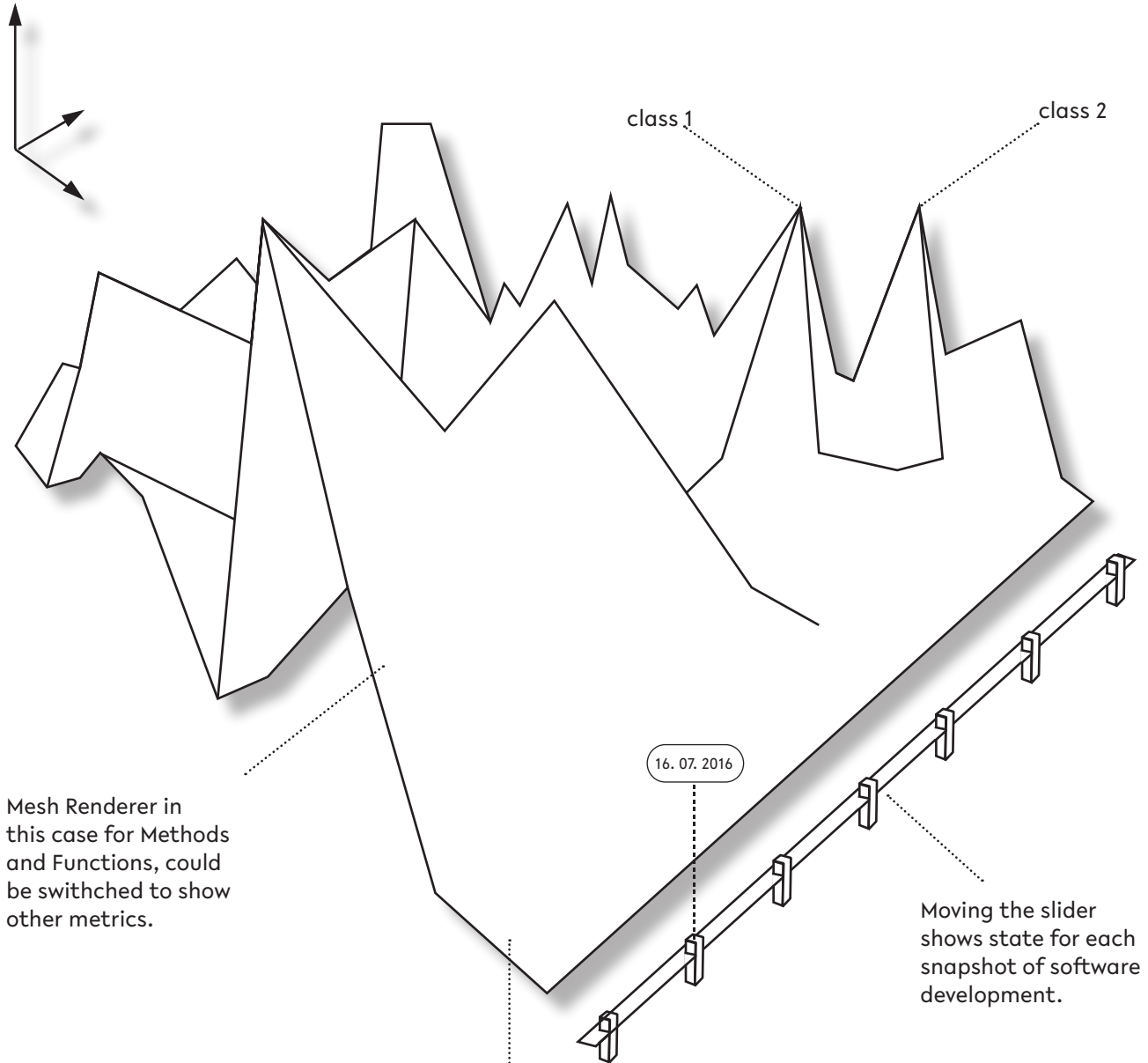
3: SOFTWARE EVOLUTION

Object /
all packages
& files of the
software

BKB.JAVA

Mesh renderer
y: methods

Texture:
statements



Mesh Renderer in this case for Methods and Functions, could be switched to show other metrics.

Moving the slider shows state for each snapshot of software development.

BKB Distributiopns Portal
Snapshot VERS. 1.2.4.

325 files and 363 Java Classes in one mesh. Generated mesh and texture shows metrics out of SonarQube statistics for the whole software evolution. It is possible to switch between different metrics.

Color gradient - STATEMENTS
Dynamic Texture shows data about the amount of statements in Java files.